

TYPICAL INDICATOR ORDERING EXAMPLE

G01


P

C

DESCRIPTION FOR TYPICAL ORDERING EXAMPLE

G01PC

Straight PC Terminals



Red LED

PC Terminals	
P	Straight
V	Vertical

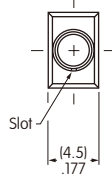
LED Colors	
C	Red
E	Yellow
F	Green

LED COLORS & SPECIFICATIONS

		C	E	F
LED is colored in OFF state	Color	Red	Yellow	Green
Maximum Forward Current	I_{FM}	30mA	30mA	25mA
Typical Forward Current	I_F	20mA	20mA	20mA
Forward Voltage	V_F	2.0V	2.1V	2.25V
Maximum Reverse Voltage	V_{RM}	5V	5V	5V
Current Reduction Rate Above 25°C	ΔI_F	0.40mA/°C	0.40mA/°C	0.33mA/°C
Ambient Temperature Range		-25°C ~ +85°C		

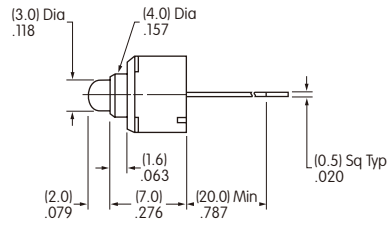
Electrical specifications are determined at a basic temperature of 25°C.
 If the source voltage is greater than the LED's rated voltage, a ballast resistor must be connected in series with the LED.
 That ballast resistor value can be calculated by using the formula shown in the Supplement section.

TYPICAL INDICATOR DIMENSIONS



Slot

(4.5)
.177



(3.0) Dia
.118

(4.0) Dia
.157

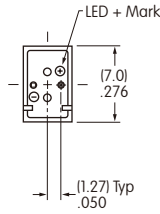
(1.6)
.063

(2.0)
.079

(7.0)
.276

(20.0) Min
.787

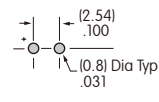
(0.5) Sq Typ
.020



LED + Mark


(7.0)
.276

(1.27) Typ
.050



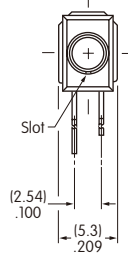
(2.54)
.100

(0.8) Dia Typ
.031



Straight PC

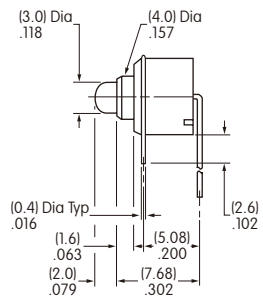
G01PC



Slot

(2.54)
.100

(5.3)
.209



(3.0) Dia
.118

(4.0) Dia
.157

(0.4) Dia Typ
.016

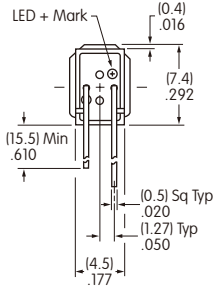
(1.6)
.063

(2.0)
.079

(5.08)
.200

(7.68)
.302

(2.6)
.102



LED + Mark

(0.4)
.016

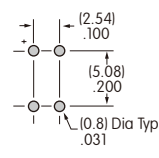
(7.4)
.292

(15.5) Min
.610

(0.5) Sq Typ
.020

(1.27) Typ
.050


(4.5)
.177



(2.54)
.100

(5.08)
.200

(0.8) Dia Typ
.031



Vertical PC

G01VC

These indicators have anode and cathode terminals along with 2 support pins.

Toggles
 Rockers
 Pushbuttons
 Illuminated PB
 Programmable
 Keylocks
 Rotaries
 Slides
 Tactiles
 Tilt
 Touch
 Indicators
 Accessories
 Supplement