

Change Notice

JF Series

Discontinuation of JF Series Illuminated Tactiles with Square Actuator and Full Face Illumination

Type of Change:

- Engineering Part Number
 Product Appearance



JF Series Tactiles with Square Actuators will be Discontinued

1. NKK Switches will be discontinuing JF Series Illuminated Ultra-Thin Process Sealed Tactiles with the square actuator and full face illumination, and will include standard and custom switches. There are no direct alternates for the discontinued switches. Part numbers for effected standard switches are on the following table.

Effected Standard Part Numbers for JF Illuminated Tactiles		
JF15AP1CC (Red LED)	JF15AP1EE (Yellow LED)	JF15AP1FF (Green LED)

Notes

Alternate options are not available for the discontinued switches.
Contact information is below if more details are needed.

Effective Dates for Change No. 1

Orders for JF Series Tactiles with the square actuator and full face illumination will be accepted through October 18, 2023. The end of sales date is April 18, 2024.

NKK SWITCHES EUROPE GMBH

Alfred-Herrhausen-Allee 3-5, 65760 Eschborn, Germany
Tel: +49 61 96 400 189
Web: www.nkkswitches.eu E-mail: contact@nkkswitches.eu

Change Notice

KP Series

Discontinuation of KP Series Illuminated Pushbuttons with Super Bright Amber/Blue Bicolor LEDs

Type of Change:

- Engineering Part Number
- Product Appearance

2. The KP Series Illuminated Pushbuttons with Amber/Blue Bicolor LEDs will be discontinued, including standard and custom switches. The comparison of the LED specifications to the RGB LED as the recommended alternate is below, and comparison of typical switch dimensions are on the following two pages. Lastly, part numbers are listed for discontinued standard models, in addition to the corresponding caps with alternating legends.



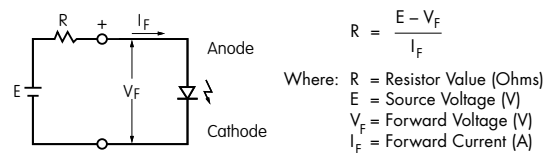
KP Series with Amber/Blue LED will be Discontinued

LED Specifications Comparison

		Discontinued Product Bicolor Amber/Blue LED		Alternate Product Multicolor Red/Green/Blue LED		
		Amber	Blue	Red	Green	Blue
<p>The electrical specifications shown are determined at a basic temperature of 25°C unless stated otherwise.</p> <p>LEDs are an integral part of the switch and are not available separately.</p>						
		Colors	Amber	Blue	Red	Green
Minimum Luminous Intensity	I_V	204 mcd	113 mcd	—	—	—
Standard Luminous Intensity	I_V	340 mcd	188 mcd	—	—	—
Maximum Forward Current	I_{FM}	30mA	25mA	50mA	30mA	30mA
Typical Forward Current	I_F	20mA	20mA	15mA	16mA	10mA
Forward Voltage	V_F	2.1V	3.2V	¹ 2.0V	¹ 2.9V	¹ 2.9V
Power Peak Dissipation	P_D	75mW	100mW	100mW	80mW	80mW
Maximum Reverse Voltage	V_{RM}	4V	4V	5V	5V	5V
Wavelength at Peak Emission	λ	583 ~ 595 nm	464 ~ 476 nm	¹ 620 nm	¹ 525 nm	¹ 467 nm
Current Reduction Rate Above 25°C	ΔI_F	² 0.40 mA/°C	² 0.33 mA/°C	³ 0.75 mA/°C	³ 0.25 mA/°C	⁴ 0.22 mA/°C
Ambient Temperature Range		-25 ~ +50°C		-25 ~ +50°C		
¹ Forward Voltage & Wavelength Values are Typical Values at the Forward Current				² Values for Temperatures Greater Than 25°C		
³ Values for Temperatures Greater Than 45°C			⁴ Value for Temperatures Greater Than 40°C			

Notes

The LED circuit is isolated and requires an external power source. For best results and safe use of the LEDs, the supply voltage should be more than the LED forward voltage. In addition, an appropriately valued ballast resistor should be used. Without the ballast resistor, the LED will be damaged or destroyed. The resistor value can be calculated by using the formula shown here. Contact information is below if more details are needed.



Effective Dates for Change No. 2

Orders for the KP Series with Super Bright Amber/Blue Bicolor LEDs will be accepted through October 18, 2023. The end of sales date is April 18, 2024.

NKK SWITCHES EUROPE GMBH

Alfred-Herrhausen-Allee 3-5, 65760 Eschborn, Germany
 Tel: +49 61 96 400 189
 Web: www.nkkswitches.eu E-mail: contact@nkkswitches.eu

Change Notice

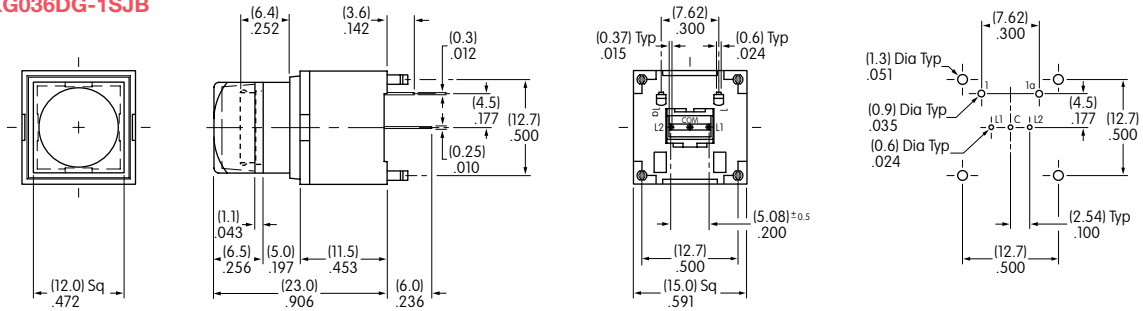
KP Series

Discontinuation of KP Series Illuminated Pushbuttons with Super Bright Amber/Blue Bicolor LEDs

Typical Switch Dimensions for Discontinued Amber/Blue Bicolor LED

12.0mm Square Cap with Amber/Blue LED

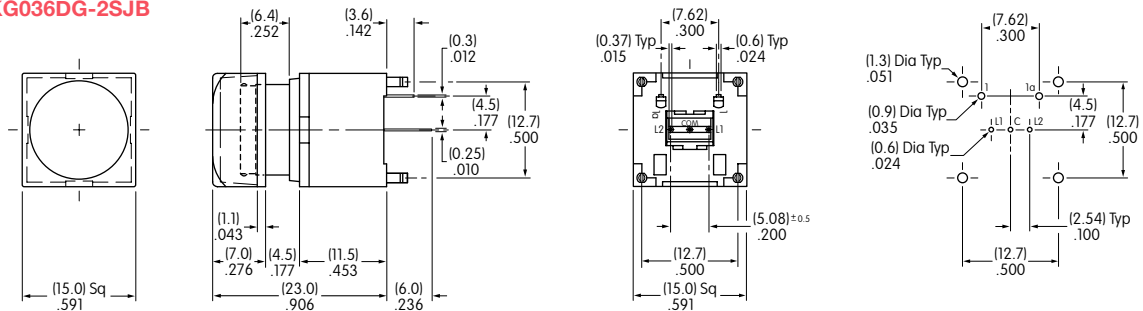
KP0115ANAKG036DG-1SJB



Footprint

15.0mm Square Cap with Amber/Blue LED

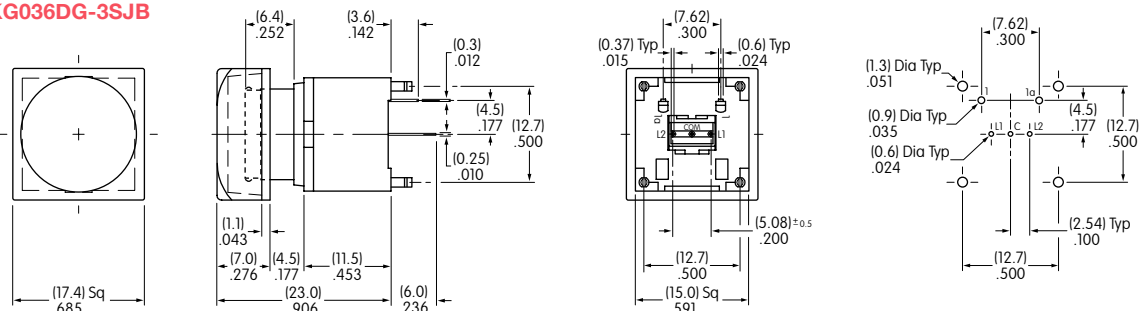
KP0115ANBKG036DG-2SJB



Footprint

17.4mm Square Cap with Amber/Blue LED

KP0115ANBKG036DG-3SJB



Footprint

NKK SWITCHES EUROPE GMBH

Alfred-Herrhausen-Allee 3-5, 65760 Eschborn, Germany

Tel: +49 61 96 400 189

Web: www.nkkswitches.eu E-mail: contact@nkkswitches.eu

Change Notice

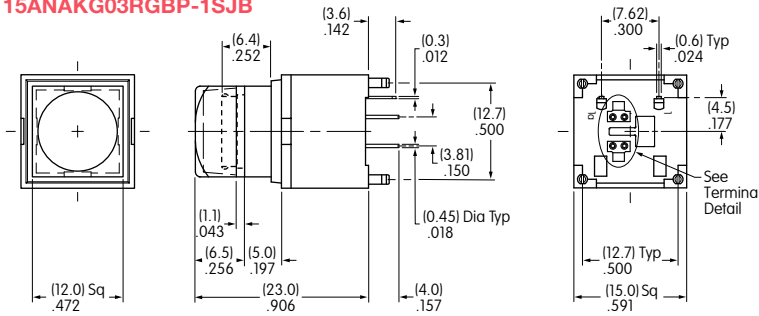
KP Series

Discontinuation of KP Series Illuminated Pushbuttons with Super Bright Amber/Blue Bicolor LEDs

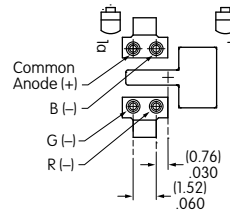
Typical Switch Dimensions for Alternate RGB LED with 4 Pins

12.0mm Square Cap with RGB LED

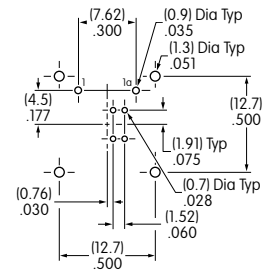
KP0115ANAKG03RGBP-1SJB



Terminal Detail

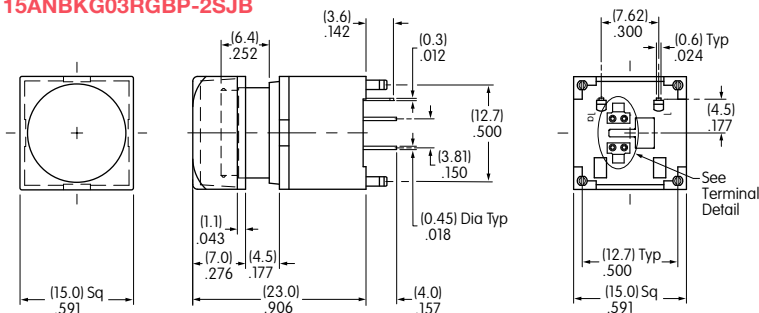


Footprint

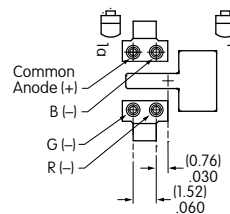


15.0mm Square Cap with RGB LED

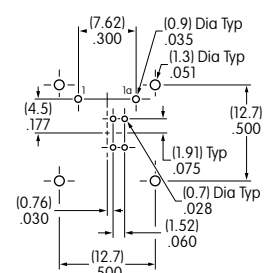
KP0115ANBKG03RGBP-2SJB



Terminal Detail

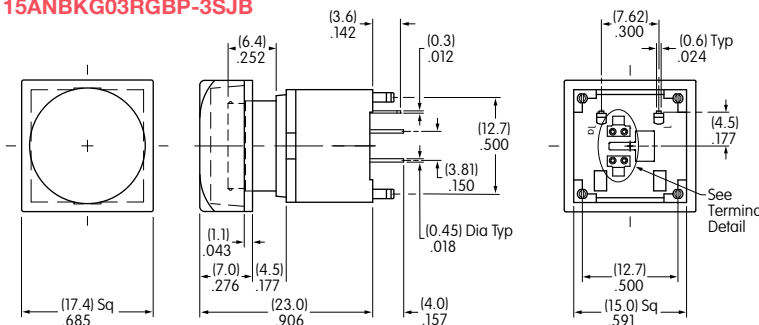


Footprint

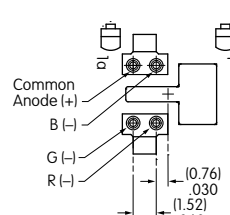


17.4mm Square Cap with RGB LED

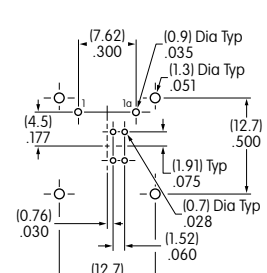
KP0115ANBKG03RGBP-3SJB



Terminal Detail



Footprint



NKK SWITCHES EUROPE GMBH

Alfred-Herrhausen-Allee 3-5, 65760 Eschborn, Germany

Tel: +49 61 96 400 189

Web: www.nkkswitches.eu E-mail: contact@nkkswitches.eu

Change Notice

KP Series

Discontinuation of KP Series Illuminated Pushbuttons with Super Bright Amber/Blue Bicolor LEDs

Caps for Alternating Legends to be Discontinued					
AT3090JCF11	AT3091JCF13	AT3093JCF11	AT3094JCF13	AT3096JCF11	AT3097JCF13
AT3090JCF12	AT3091JCF14	AT3093JCF12	AT3094JCF14	AT3096JCF12	AT3097JCF14
AT3090JCF13	AT3092JCF11	AT3093JCF13	AT3095JCF11	AT3096JCF13	AT3098JCF11
AT3090JCF14	AT3092JCF12	AT3093JCF14	AT3095JCF12	AT3096JCF14	AT3098JCF12
AT3091JCF11	AT3092JCF13	AT3094JCF11	AT3095JCF13	AT3097JCF11	AT3098JCF13
AT3091JCF12	AT3092JCF14	AT3094JCF12	AT3095JCF14	AT3097JCF12	AT3098JCF14

There are no alternate products available for the Alternating Legends Caps.

KP01 & KP02 Standard Part Numbers with Alternate		KP01 & KP02 Standard Part Numbers with Alternate	
KP Series Discontinued	KP Series Alternate	KP Series Discontinued	KP Series Alternate
KP0115ACAKG036DG-1FJB	KP0115ACAKG03RGBP-1FJB	KP0215ANAKG036DG-1SJB	KP0215ANAKG03RGBP-1SJB
KP0115ANAKG036DG-1FJB	KP0115ANAKG03RGBP-1FJB	KP0215ACAKG036DG-1TJB	KP0215ACAKG03RGBP-1TJB
KP0115ACAKG036DG-1SJB	KP0115ACAKG03RGBP-1SJB	KP0215ANAKG036DG-1TJB	KP0215ANAKG03RGBP-1TJB
KP0115ANAKG036DG-1SJB	KP0115ANAKG03RGBP-1SJB	KP0215ACBKG036DG-2FJB	KP0215ACBKG03RGBP-2FJB
KP0115ACAKG036DG-1TJB	KP0115ACAKG03RGBP-1TJB	KP0215ANBKG036DG-2FJB	KP0215ANBKG03RGBP-2FJB
KP0115ANAKG036DG-1TJB	KP0115ANAKG03RGBP-1TJB	KP0215ASBKG036DG-2FJB	KP0215ASBKG03RGBP-2FJB
KP0115ACBKG036DG-2FJB	KP0115ACBKG03RGBP-2FJB	KP0215ACBKG036DG-2SJB	KP0215ACBKG03RGBP-2SJB
KP0115ANBKG036DG-2FJB	KP0115ANBKG03RGBP-2FJB	KP0215ANBKG036DG-2SJB	KP0215ANBKG03RGBP-2SJB
KP0115ACBKG036DG-2SJB	KP0115ACBKG03RGBP-2SJB	KP0215ASBKG036DG-2SJB	KP0215ASBKG03RGBP-2SJB
KP0115ANBKG036DG-2SJB	KP0115ANBKG03RGBP-2SJB	KP0215ACBKG036DG-1TJB	KP0215ACBKG03RGBP-1TJB
KP0115ACBKG036DG-1TJB	KP0115ACBKG03RGBP-1TJB	KP0215ANBKG036DG-1TJB	KP0215ANBKG03RGBP-1TJB
KP0115ANBKG036DG-1TJB	KP0115ANBKG03RGBP-1TJB	KP0215ASBKG036DG-1TJB	KP0215ASBKG03RGBP-1TJB
KP0115ACBKG036DG-3FJB	KP0115ACBKG03RGBP-3FJB	KP0215ACBKG036DG-3FJB	KP0215ACBKG03RGBP-3FJB
KP0115ANBKG036DG-3FJB	KP0115ANBKG03RGBP-3FJB	KP0215ANBKG036DG-3FJB	KP0215ANBKG03RGBP-3FJB
KP0115ACBKG036DG-3SJB	KP0115ACBKG03RGBP-3SJB	KP0215ASBKG036DG-3FJB	KP0215ASBKG03RGBP-3FJB
KP0115ANBKG036DG-3SJB	KP0115ANBKG03RGBP-3SJB	KP0215ACBKG036DG-3SJB	KP0215ACBKG03RGBP-3SJB
KP0115ACBKG036DG-3TJB	KP0115ACBKG03RGBP-3TJB	KP0215ANBKG036DG-3SJB	KP0215ANBKG03RGBP-3SJB
KP0115ANBKG036DG-3TJB	KP0115ANBKG03RGBP-3TJB	KP0215ASBKG036DG-3SJB	KP0215ASBKG03RGBP-3SJB
KP0215ACAKG036DG-1FJB	KP0215ACAKG03RGBP-1FJB	KP0215ACBKG036DG-3TJB	KP0215ACBKG03RGBP-3TJB
KP0215ANAKG036DG-1FJB	KP0215ANAKG03RGBP-1FJB	KP0215ANBKG036DG-3TJB	KP0215ANBKG03RGBP-3TJB
KP0215ACAKG036DG-1SJB	KP0215ACAKG03RGBP-1SJB	KP0215ASBKG036DG-3TJB	KP0215ASBKG03RGBP-3TJB

NKK SWITCHES EUROPE GMBH

Alfred-Herrhausen-Allee 3-5, 65760 Eschborn, Germany

Tel: +49 61 96 400 189

Web: www.nkkswitches.eu E-mail: contact@nkkswitches.eu

Change Notice

KP Series

Discontinuation of KP Series Illuminated Pushbuttons with Super Bright Amber/Blue Bicolor LEDs

KP Series Standard Part Numbers to be Discontinued			
KP0115ACAKG036DG-1FJB11	KP0115ANBKG036DG-2FJB14	KP0115ACBKG036DG-3SJB14	KP0215ACAKG036DG-1SJB14
KP0115ANAKG036DG-1FJB11	KP0115ACBKG036DG-2SJB11	KP0115ANBKG036DG-3SJB14	KP0215ANAKG036DG-1SJB14
KP0115ACAKG036DG-1FJB12	KP0115ANBKG036DG-2SJB11	KP0115ACBKG036DG-3TJB11	KP0215ASAKG036DG-1SJB14
KP0115ANAKG036DG-1FJB12	KP0115ACBKG036DG-2SJB12	KP0115ANBKG036DG-3TJB11	KP0215ACAKG036DG-1TJB11
KP0115ACAKG036DG-1FJB13	KP0115ANBKG036DG-2SJB12	KP0115ACBKG036DG-3TJB12	KP0215ANAKG036DG-1TJB11
KP0115ANAKG036DG-1FJB13	KP0115ACBKG036DG-2SJB13	KP0115ANBKG036DG-3TJB12	KP0215ASAKG036DG-1TJB11
KP0115ACAKG036DG-1FJB14	KP0115ANBKG036DG-2SJB13	KP0115ACBKG036DG-3TJB13	KP0215ACAKG036DG-1TJB12
KP0115ANAKG036DG-1FJB14	KP0115ACBKG036DG-2SJB14	KP0115ANBKG036DG-3TJB13	KP0215ANAKG036DG-1TJB12
KP0115ACAKG036DG-1SJB11	KP0115ANBKG036DG-2SJB14	KP0115ACBKG036DG-3TJB14	KP0215ASAKG036DG-1TJB12
KP0115ANAKG036DG-1SJB11	KP0115ACBKG036DG-2TJB11	KP0115ANBKG036DG-3TJB14	KP0215ACAKG036DG-1TJB13
KP0115ACAKG036DG-1SJB12	KP0115ANBKG036DG-2TJB11	KP0215ACAKG036DG-1FJB11	KP0215ANAKG036DG-1TJB13
KP0115ANAKG036DG-1SJB12	KP0115ACBKG036DG-2TJB12	KP0215ANAKG036DG-1FJB11	KP0215ASAKG036DG-1TJB13
KP0115ACAKG036DG-1SJB13	KP0115ANBKG036DG-2TJB12	KP0215ASAKG036DG-1FJB11	KP0215ACAKG036DG-1TJB14
KP0115ANAKG036DG-1SJB13	KP0115ACBKG036DG-2TJB13	KP0215ACAKG036DG-1FJB12	KP0215ANAKG036DG-1TJB14
KP0115ACAKG036DG-1SJB14	KP0115ANBKG036DG-2TJB13	KP0215ANAKG036DG-1FJB12	KP0215ASAKG036DG-1TJB14
KP0115ANAKG036DG-1SJB14	KP0115ACBKG036DG-2TJB14	KP0215ASAKG036DG-1FJB12	KP0215ACBKG036DG-2FJB11
KP0115ACAKG036DG-1TJB11	KP0115ANBKG036DG-2TJB14	KP0215ACAKG036DG-1FJB13	KP0215ANBKG036DG-2FJB11
KP0115ANAKG036DG-1TJB11	KP0115ACBKG036DG-3FJB11	KP0215ANAKG036DG-1FJB13	KP0215ASBKG036DG-2FJB11
KP0115ACAKG036DG-1TJB12	KP0115ANBKG036DG-3FJB11	KP0215ASAKG036DG-1FJB13	KP0215ACBKG036DG-2FJB12
KP0115ANAKG036DG-1TJB12	KP0115ACBKG036DG-3FJB12	KP0215ACAKG036DG-1FJB14	KP0215ANBKG036DG-2FJB12
KP0115ACAKG036DG-1TJB13	KP0115ANBKG036DG-3FJB12	KP0215ANAKG036DG-1FJB14	KP0215ASBKG036DG-2FJB12
KP0115ANAKG036DG-1TJB13	KP0115ACBKG036DG-3FJB13	KP0215ASAKG036DG-1FJB14	KP0215ACBKG036DG-2FJB13
KP0115ACAKG036DG-1TJB14	KP0115ANBKG036DG-3FJB13	KP0215ACAKG036DG-1SJB11	KP0215ANBKG036DG-2FJB13
KP0115ANAKG036DG-1TJB14	KP0115ACBKG036DG-3FJB14	KP0215ANAKG036DG-1SJB11	KP0215ASBKG036DG-2FJB13
KP0115ACBKG036DG-2FJB11	KP0115ANBKG036DG-3FJB14	KP0215ASAKG036DG-1SJB11	KP0215ACBKG036DG-2FJB14
KP0115ANBKG036DG-2FJB11	KP0115ACBKG036DG-3SJB11	KP0215ACAKG036DG-1SJB12	KP0215ANBKG036DG-2FJB14
KP0115ACBKG036DG-2FJB12	KP0115ANBKG036DG-3SJB11	KP0215ANAKG036DG-1SJB12	KP0215ASBKG036DG-2FJB14
KP0115ANBKG036DG-2FJB12	KP0115ACBKG036DG-3SJB12	KP0215ASAKG036DG-1SJB12	KP0215ACBKG036DG-2SJB11
KP0115ACBKG036DG-2FJB13	KP0115ANBKG036DG-3SJB12	KP0215ACAKG036DG-1SJB13	KP0215ANBKG036DG-2SJB11
KP0115ANBKG036DG-2FJB13	KP0115ACBKG036DG-3SJB13	KP0215ANAKG036DG-1SJB13	KP0215ASBKG036DG-2SJB11
KP0115ACBKG036DG-2FJB14	KP0115ANBKG036DG-3SJB13	KP0215ASAKG036DG-1SJB13	KP0215ACBKG036DG-2SJB12

NKK SWITCHES EUROPE GMBH

Alfred-Herrhausen-Allee 3-5, 65760 Eschborn, Germany

Tel: +49 61 96 400 189

Web: www.nkkswitches.eu E-mail: contact@nkkswitches.eu

Change Notice

KP Series

Discontinuation of KP Series Illuminated Pushbuttons with Super Bright Amber/Blue Bicolor LEDs

KP Series Standard Part Numbers to be Discontinued			
KP0215ANBKG036DG-2SJB12	KP0215ACBKG036DG-2TJB13	KP0215ASBKG036DG-3FJB13	KP0215ANBKG036DG-3SJB14
KP0215ASBKG036DG-2SJB12	KP0215ANBKG036DG-2TJB13	KP0215ACBKG036DG-3FJB14	KP0215ASBKG036DG-3SJB14
KP0215ACBKG036DG-2SJB13	KP0215ASBKG036DG-2TJB13	KP0215ANBKG036DG-3FJB14	KP0215ACBKG036DG-3TJB11
KP0215ANBKG036DG-2SJB13	KP0215ACBKG036DG-2TJB14	KP0215ASBKG036DG-3FJB14	KP0215ANBKG036DG-3TJB11
KP0215ASBKG036DG-2SJB13	KP0215ANBKG036DG-2TJB14	KP0215ACBKG036DG-3SJB11	KP0215ASBKG036DG-3TJB11
KP0215ACBKG036DG-2SJB14	KP0215ASBKG036DG-2TJB14	KP0215ANBKG036DG-3SJB11	KP0215ACBKG036DG-3TJB12
KP0215ANBKG036DG-2SJB14	KP0215ACBKG036DG-3FJB11	KP0215ASBKG036DG-3SJB11	KP0215ANBKG036DG-3TJB12
KP0215ASBKG036DG-2SJB14	KP0215ANBKG036DG-3FJB11	KP0215ACBKG036DG-3SJB12	KP0215ASBKG036DG-3TJB12
KP0215ACBKG036DG-2TJB11	KP0215ASBKG036DG-3FJB11	KP0215ANBKG036DG-3SJB12	KP0215ACBKG036DG-3TJB13
KP0215ANBKG036DG-2TJB11	KP0215ACBKG036DG-3FJB12	KP0215ASBKG036DG-3SJB12	KP0215ANBKG036DG-3TJB13
KP0215ASBKG036DG-2TJB11	KP0215ANBKG036DG-3FJB12	KP0215ACBKG036DG-3SJB13	KP0215ASBKG036DG-3TJB13
KP0215ACBKG036DG-2TJB12	KP0215ASBKG036DG-3FJB12	KP0215ANBKG036DG-3SJB13	KP0215ACBKG036DG-3TJB14
KP0215ANBKG036DG-2TJB12	KP0215ACBKG036DG-3FJB13	KP0215ASBKG036DG-3SJB13	KP0215ANBKG036DG-3TJB14
KP0215ASBKG036DG-2TJB12	KP0215ANBKG036DG-3FJB13	KP0215ACBKG036DG-3SJB14	KP0215ASBKG036DG-3TJB14

NKK SWITCHES EUROPE GMBH

Alfred-Herrhausen-Allee 3-5, 65760 Eschborn, Germany

Tel: +49 61 96 400 189

Web: www.nkkswitches.eu E-mail: contact@nkkswitches.eu